

3110KL (80[□]x 25^L)



EMINEBEA.COM

General Specifications

Motor Protection:

Auto Restart/Polarity Protection

Insulation Resistance: 10M Ω or over with a DC500V Megger

Dielectric Withstand Voltage: AC 700V 1s

Allowable Ambient Temperature Range:

B70 Class: -10°C ~ +60°C (Operating)

B10~B60 Class: -10°C ~ +70°C (Operating)

All Class: -40°C ~ +70°C (Storage)
(non-condensing environment)

Expected Life

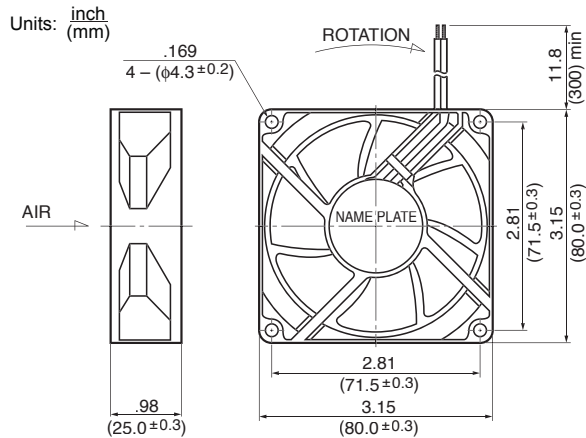
Failure Rate: 10%

25°C 100,000 Hours (E00)

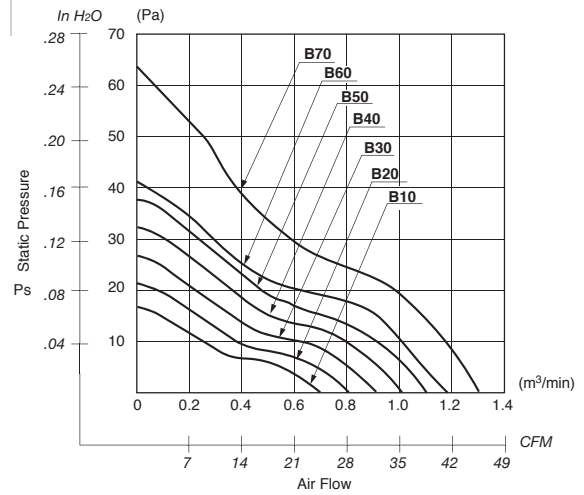
25°C 70,000 Hours (G00,D00)

25°C 60,000 Hours (C00, F00)

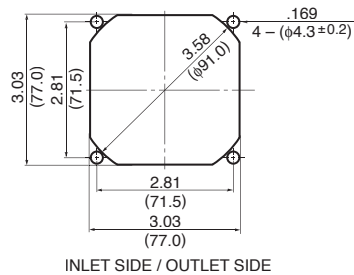
Outline



Characteristic Curves



Panel Cut-outs



Material

Casing : Plastic (Black) 94V-0

Impeller : Plastic (Black) 94V-0

Bearing : Ball Bearing

Lead Wire: UL1007, AWG24, +Red, -Black

Specifications

| MODEL | Product No. | Rated Voltage | Operating Voltage | Current | Input Power | Speed | Max. Air Flow | | Max. Static Pressure | | Noise | Mass |
|-----------------|-------------|---------------|-------------------|-------------------|-------------------|------------------------------------|-------------------|-------------------------------------|----------------------|--------------------|--------------------|------|
| | | (V) | (V) | (A) ^{*1} | (W) ^{*1} | (min ⁻¹) ^{*1} | CFM ^{*1} | (m ³ /min) ^{*1} | in H ₂ O | (Pa) ^{*1} | (dB) ^{*1} | (g) |
| 3110KL-04W-B10- | X00 | 12 | 6.0 ~ 13.8 | 0.10 | 1.20 | 2150 | 24.7 | 0.70 | .07 | 16.7 | 22.0 | 95 |
| 3110KL-04W-B20- | X00 | 12 | 6.0 ~ 13.8 | 0.11 | 1.32 | 2400 | 28.2 | 0.80 | .08 | 21.6 | 25.0 | 95 |
| 3110KL-04W-B30- | X00 | 12 | 6.0 ~ 13.8 | 0.17 | 2.04 | 2700 | 31.8 | 0.90 | .10 | 26.5 | 28.0 | 95 |
| 3110KL-04W-B40- | X00 | 12 | 6.0 ~ 13.8 | 0.20 | 2.40 | 3000 | 35.3 | 1.00 | .13 | 32.3 | 31.0 | 95 |
| 3110KL-04W-B50- | X00 | 12 | 6.0 ~ 13.8 | 0.23 | 2.76 | 3250 | 38.8 | 1.10 | .15 | 37.2 | 34.0 | 95 |
| 3110KL-04W-B60- | X00 | 12 | 6.0 ~ 13.0 | 0.26 | 3.12 | 3400 | 40.2 | 1.14 | .16 | 40.2 | 35.0 | 95 |
| 3110KL-04W-B70- | X00 | 12 | 6.0 ~ 13.8 | 0.29 | 3.86 | 4000 | 45.9 | 1.30 | .26 | 64.4 | 40.0 | 95 |
| 3110KL-05W-B10- | X00 | 24 | 10.0 ~ 27.6 | 0.06 | 1.44 | 2150 | 24.7 | 0.70 | .07 | 16.7 | 22.0 | 95 |
| 3110KL-05W-B20- | X00 | 24 | 10.0 ~ 27.6 | 0.07 | 1.68 | 2400 | 28.2 | 0.80 | .08 | 21.6 | 25.0 | 95 |
| 3110KL-05W-B30- | X00 | 24 | 10.0 ~ 27.6 | 0.08 | 1.92 | 2700 | 31.8 | 0.90 | .10 | 26.5 | 28.0 | 95 |
| 3110KL-05W-B40- | X00 | 24 | 10.0 ~ 27.6 | 0.10 | 2.40 | 3000 | 35.3 | 1.00 | .13 | 32.3 | 31.0 | 95 |
| 3110KL-05W-B50- | X00 | 24 | 10.0 ~ 27.6 | 0.12 | 2.88 | 3250 | 38.8 | 1.10 | .15 | 37.2 | 34.0 | 95 |
| 3110KL-05W-B60- | X00 | 24 | 10.0 ~ 26.4 | 0.14 | 3.36 | 3400 | 40.2 | 1.14 | .16 | 40.2 | 35.0 | 95 |

Rotation: Clockwise

Airflow Outlet: Air Out Over Struts

*1: Average Values in Free Air